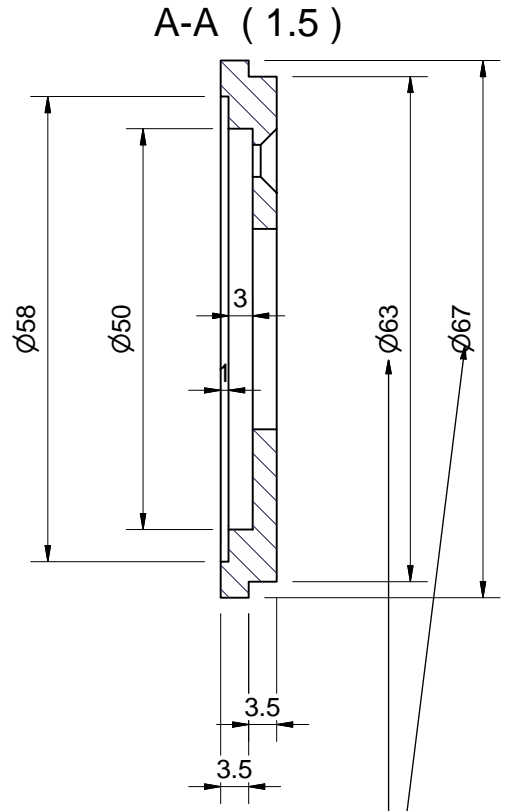
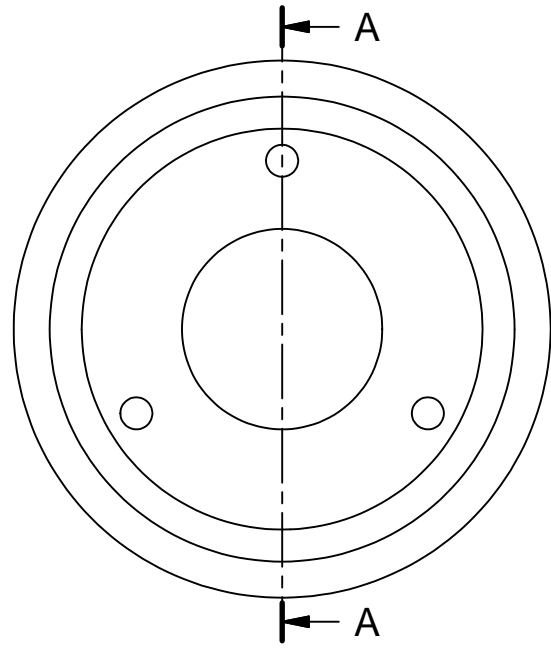
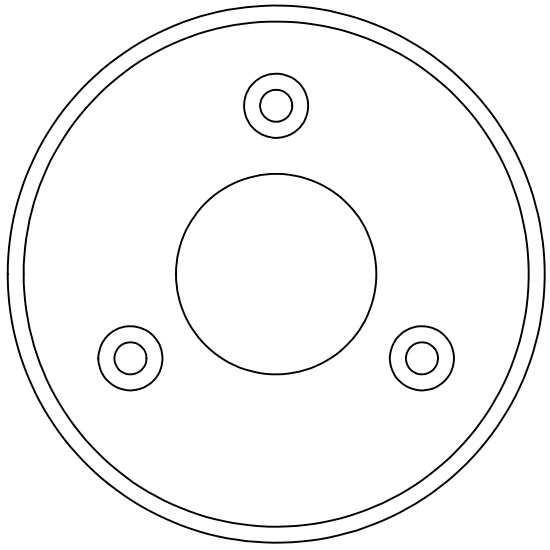
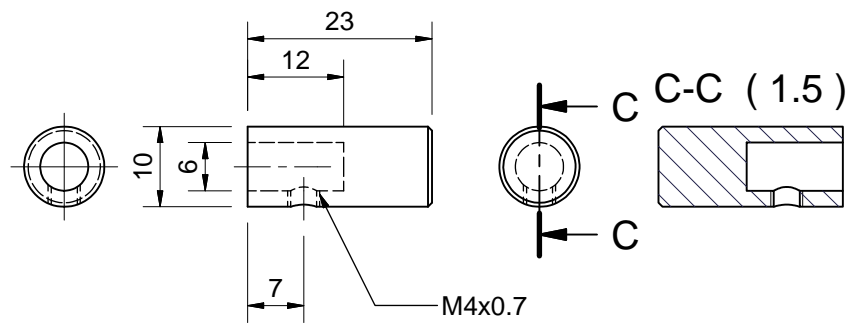


1 2 3 4 5 6 7 8
Drawing No.

2 off.



Check these dimensions from part rene pit already has



File Name adaptor 1.idw

Current Status WorkInProgress

UNLESS OTHERWISE STATED
All dimensions in mm
General Tol: ± 0.050
Angular Tol: ± 0.125
Surface Finish (microns):
REMOVE ALL SHARP EDGES
This document may not be copied, reproduced or displayed in whole or part without the express consent of the owner

Material
Finish

Drawn by KMDEE
Date 12/11/2010
Engineering & Project Solutions Ltd
Daresbury Science & Innovation Campus
Daresbury Innovation Centre
Warrington ENGLAND, WA4 4FS www.engpro.co.uk
Registered office ENGLAND, Company No.05912350

Project:

Revision 01

Used ON
Drawing No.

Third Angle

Item No.
Sheet 1 / 1

A3